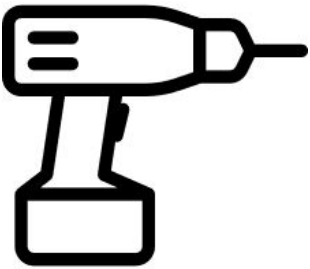
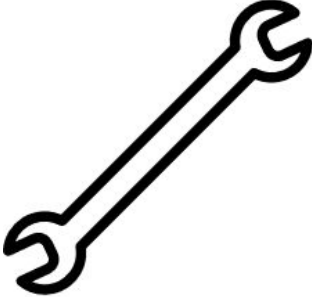
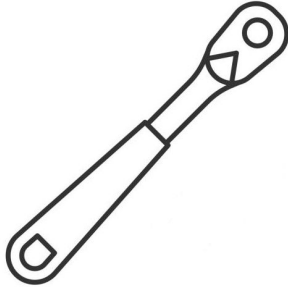

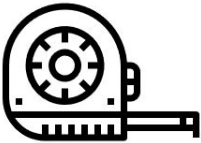



HARDWARE INSTALLATION INSTRUCTIONS

Model: Traditional Hardware



Tools Required:

		
<ul style="list-style-type: none"> • Drill • Drill Bit Sizes: 1/8", 1/4", 3/8" 	<ul style="list-style-type: none"> • Combination Wrench • Sizes: 9/16", 5/8" 	<ul style="list-style-type: none"> • Socket Wrench • Socket Sizes: 9/16"
		
<ul style="list-style-type: none"> • Level 	<ul style="list-style-type: none"> • Tape Measure 	<ul style="list-style-type: none"> • Pencil

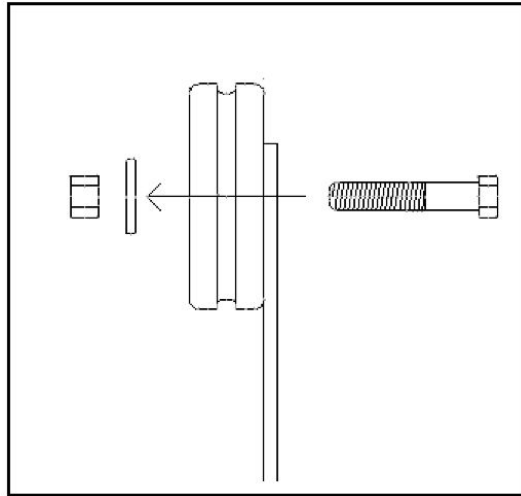
Barn Door Hanger Parts List:

DESCRIPTION	QUANTITY
Track	1
Track Spacers	6
Lag Screws, 3/8" x 5"	6
Stop Brackets	2
Hanger	2
Hanger Wheel Bolts, 3/8" x 2-1/4"	2
Hanger Mounting Bolts, 3/8" x 2-1/2"	4
Hanger Mounting Nut, 3/8"	2
Washers, 3/8"	6
Acorn Nut, 3/8"	4
Door Guide, Floor Mounted	1
Door Guide Mounting Screw, #8 x 1"	1
Wheel	2

Step 1:

Install the Wheel in the Hanger using a supplied Hanger Wheel Bolt (3/8" x 2-1/4"), Washer (3/8"), and a Hanger Mounting Nut (3/8"), then tighten. Do this for both Hangers.

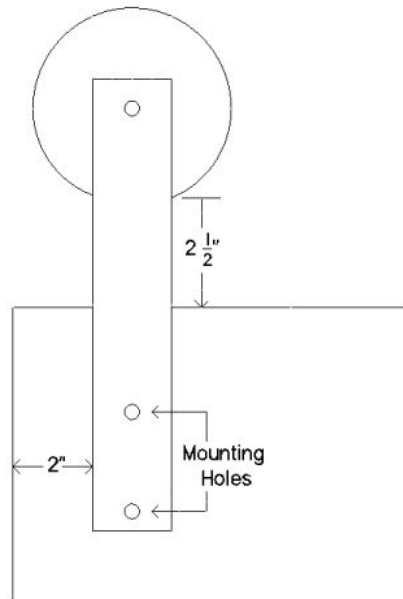
Figure 1



Step 2:

- A. Lay the door down on a level surface, face up.
- B. Position one of the hangers on the door.
- C. Adjust the vertical position of the hanger to allow for 2-1/2" gap between the top edge of the door, and the bottom edge of the wheel. Next, adjust the horizontal position of the hanger to be inset 2" from the outer edge of the door (See Figure 2).
- D. Once positioned, both vertically and horizontally, mark the center of each mounting hole with a pencil.
- E. Repeat Steps B through E for the second hanger, on the opposite side of the door.
- F. Set the hangers aside.

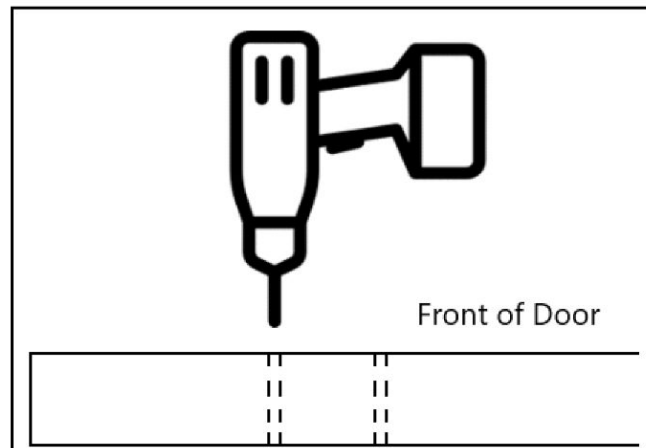
Figure 2



Step 3:

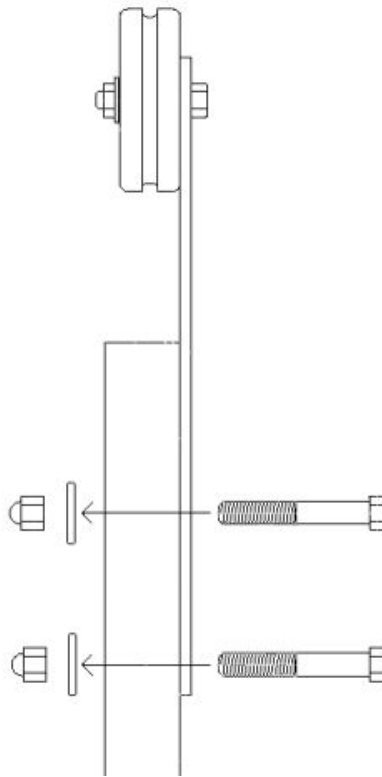
- A.** With the hangers set aside, drill a $\frac{1}{8}$ " pilot hole all the way through the door, at the each of the previously marked mounting hole locations. Pay close attention when drilling to ensure your drill bit is positioned squarely to the door (See Figure 3).

Figure 3



- B. Next, with a $\frac{3}{8}$ " drill bit, drill through all pilot holes.
- C. Install the hangers to the front side of the door using the supplied hardware (See Figure 4). Hanger Mounting Bolt ($\frac{3}{8}$ " x $2\frac{1}{2}$ "), Washer ($\frac{3}{8}$ "), and Acorn Nut ($\frac{3}{8}$ ").

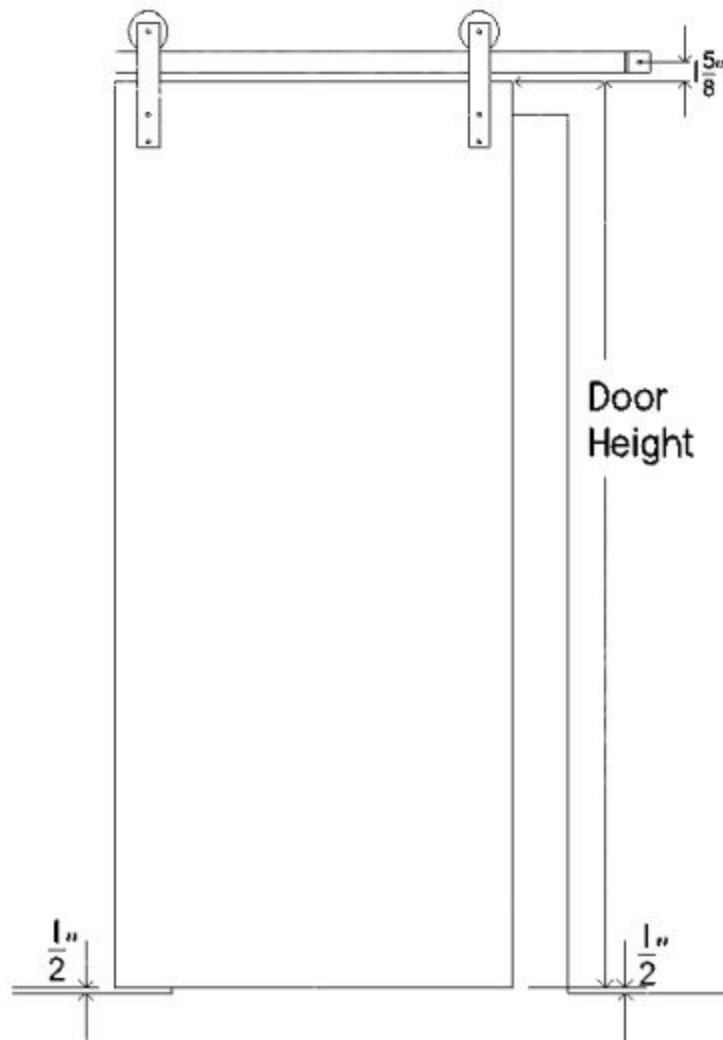
Figure 4



Step 4:

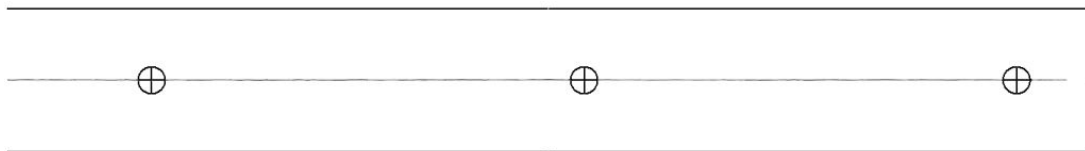
- A. Using a Level, check to see if the floor below the proposed track area is level. If the floor is out of level, more than 1/2", the door may come into contact with the floor, and not operate properly. If the floor is not level, be sure to measure from the highest point on the floor surface to the recommended track placement, and adjust track placement accordingly.
- B. Ensure that the track will be installed directly into wall studs. If the wall studs are not lining up with the installation, a header board will be required to provide the necessary strength to support the track and door.
- C. To determine the mounting location for the track, measure the height of the door and then add 2-1/4" to the door height. The added 2-1/4" will accommodate both the 1/2" spacing at the bottom of the door, as well as 1-5/8" spacing from the top of the door to the center of the track (See Figure 5).

Figure 5



- D. Using your measurement from C., measure from the highest point on the floor surface and mark the location on the wall for the track.
- E. Using a level and pencil, locate your height mark from Step D, and make a level line above the doorway the same length of the track.
- F. Hold the track up to the wall, so the pencil line is visible through the holes on the track. Center the pencil line vertically in the holes. In each track hole, mark an intersecting line. Once all holes have been marked, remove the track (See Figure 6).

Figure 6

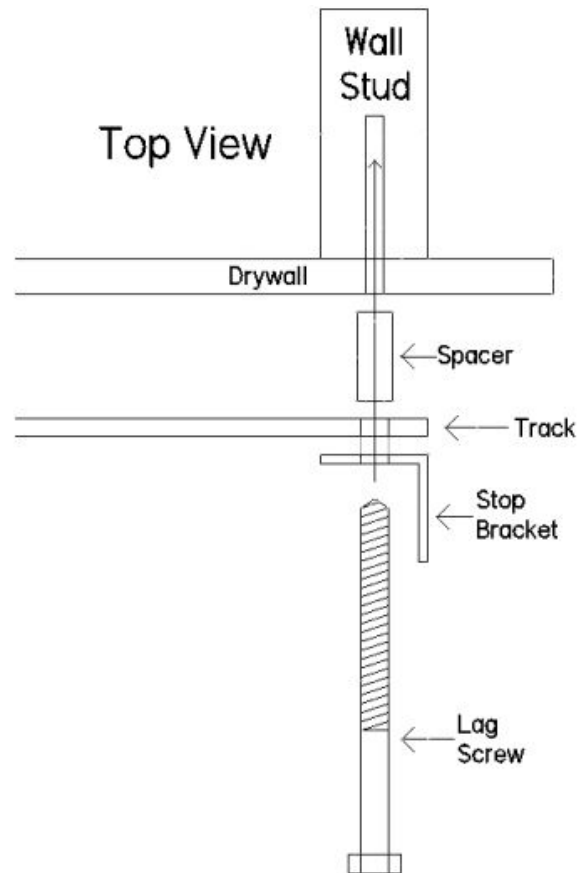


- G. Drill all of the marked holes for the track with a $\frac{1}{4}$ " drill bit.

Step 5:

- A. Attach one end of the track to the wall with a supplied Spacer, Stop Bracket, and Lag Screw using a socket wrench and 9/16" socket. Do not tighten completely (See Figure 7).

Figure 7

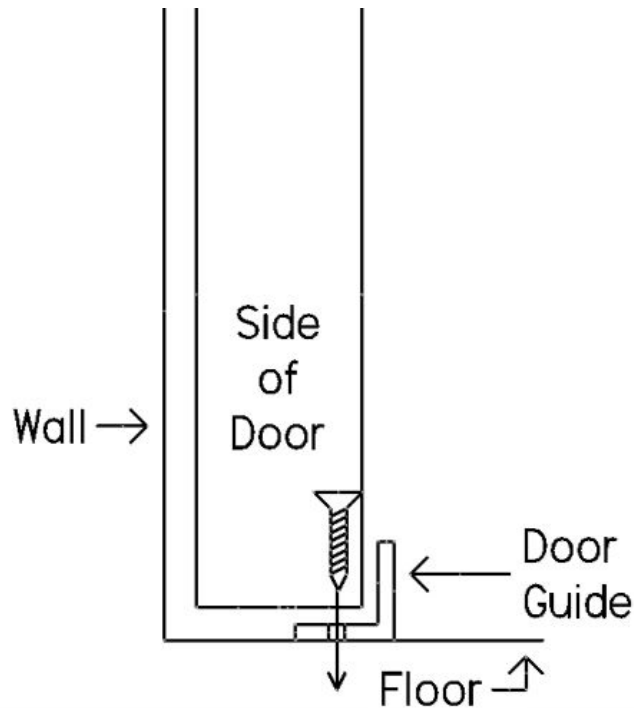


- B. Repeat Step A for the opposite end of the track.
- C. Install the remaining Spacers and Lag Screws. Once all Spacers and Lag Screws have been installed, tighten all Lag Screws completely.

Step 6:

- A. Install the door.
- B. With the door in the closed position, ensure the door is hanging straight with a level.
- C. With the door still in the closed position, install the Door Guide using the supplied screw (See Figure 8).

Figure 8



Barn Doors & More, Inc.
42387 Avenida Alvarado, Suite 101
Temecula, CA 92590

Phone: 800.674.9449

Email: hello@barndoorsmoreinc.com

www.barndoorsmoreinc.com

All Components proudly made in the U.S.A.